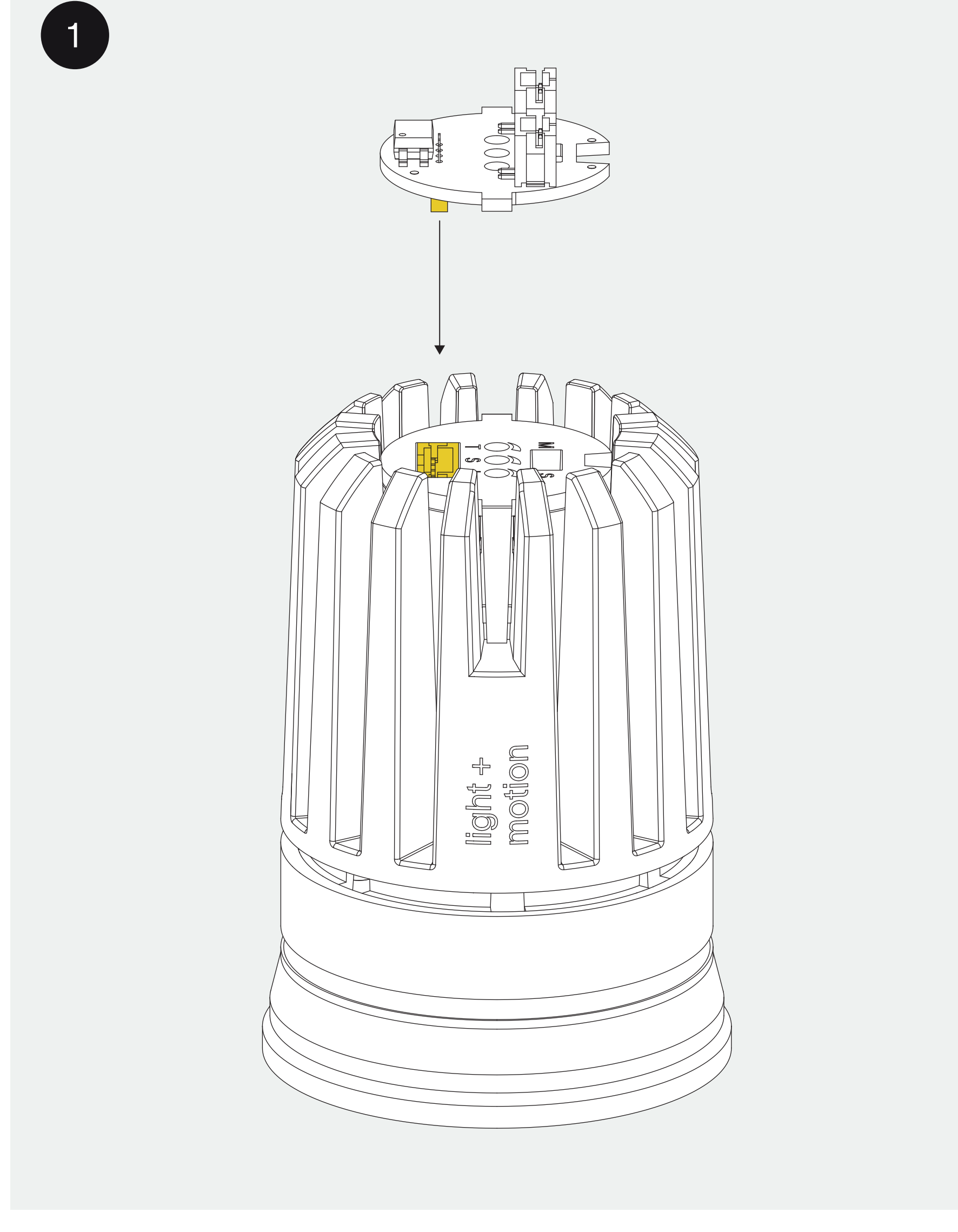
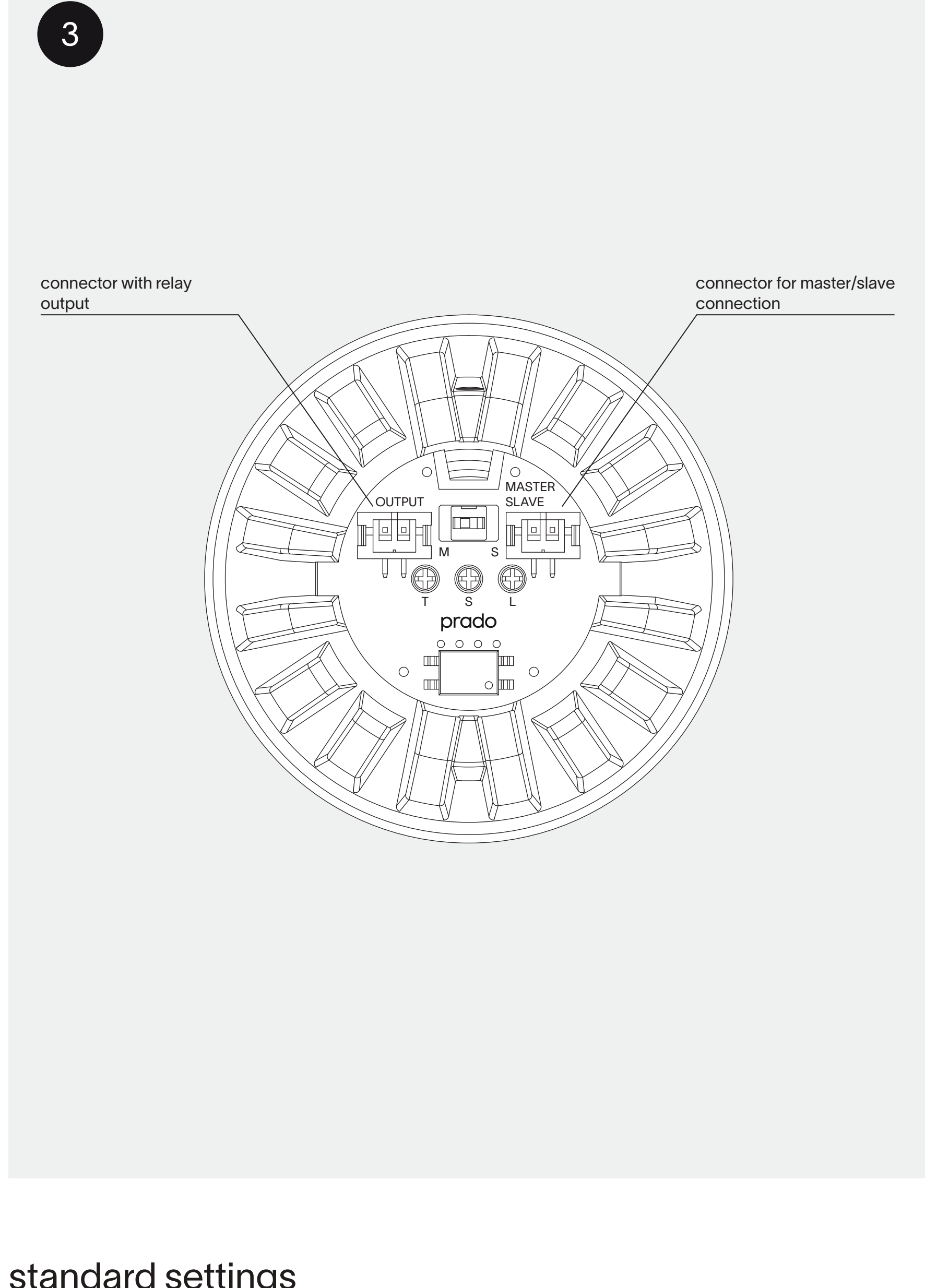


relay L+M installation instruction





connect the relay accessory by connecting the male and female side of the connector



standard settings

- ambient light: 1700 LSB
- sensitivity: no pets detectable
- time on: 5min

if desired update standard settings with a screwdriver

	
T = short time on S = low sensitivity L = low ambient light	T = long time on S = high sensitivity L = high ambient light