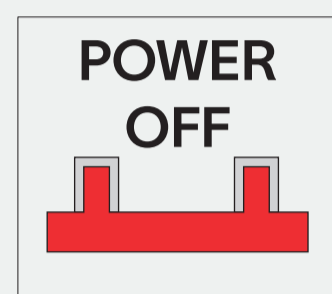


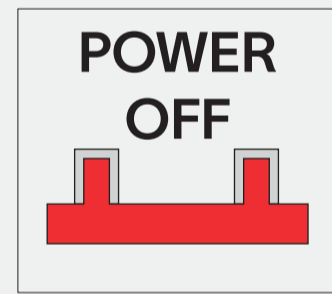
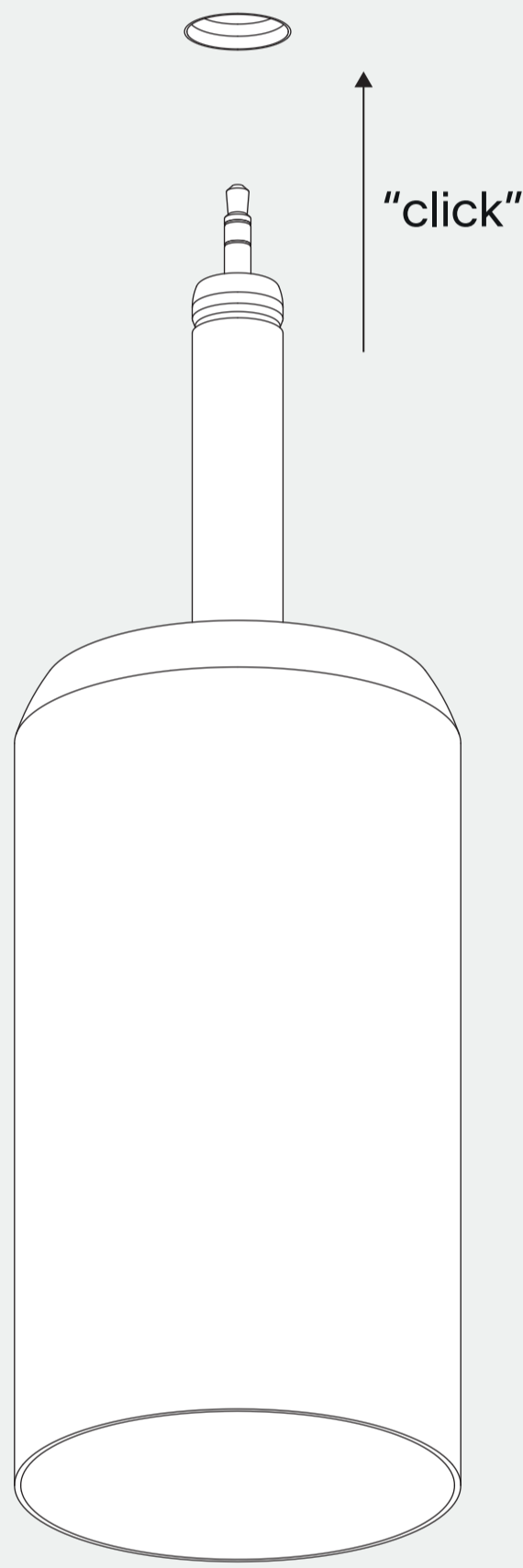
acrojack installation instruction

1



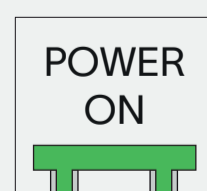
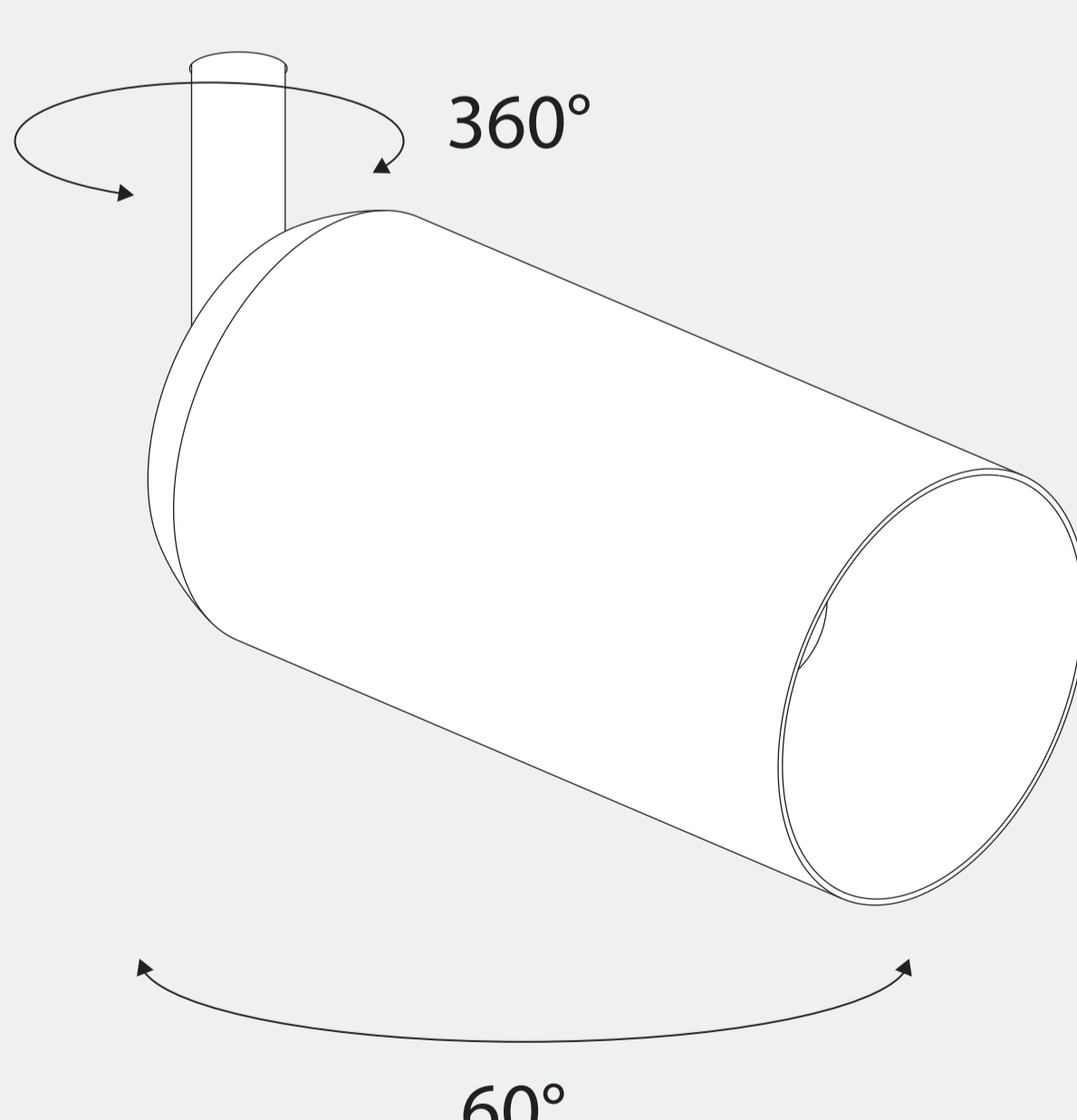
make sure the power is turned off before installing the fixture into the plaster ring jack (8000 - 0006)

2

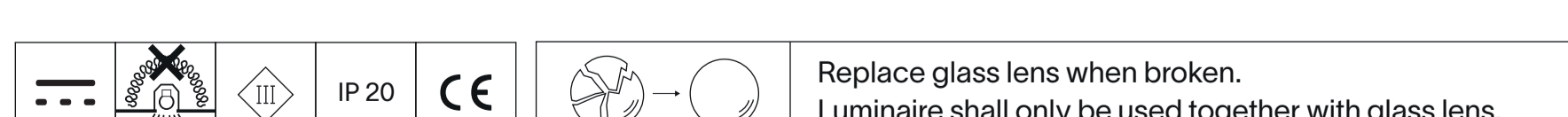


gently insert the fixture into the kit until it "clicks"

3



twist the luminaire as desired
thank you for choosing prado



Replace glass lens when broken.
Luminaire shall only be used together with glass lens.