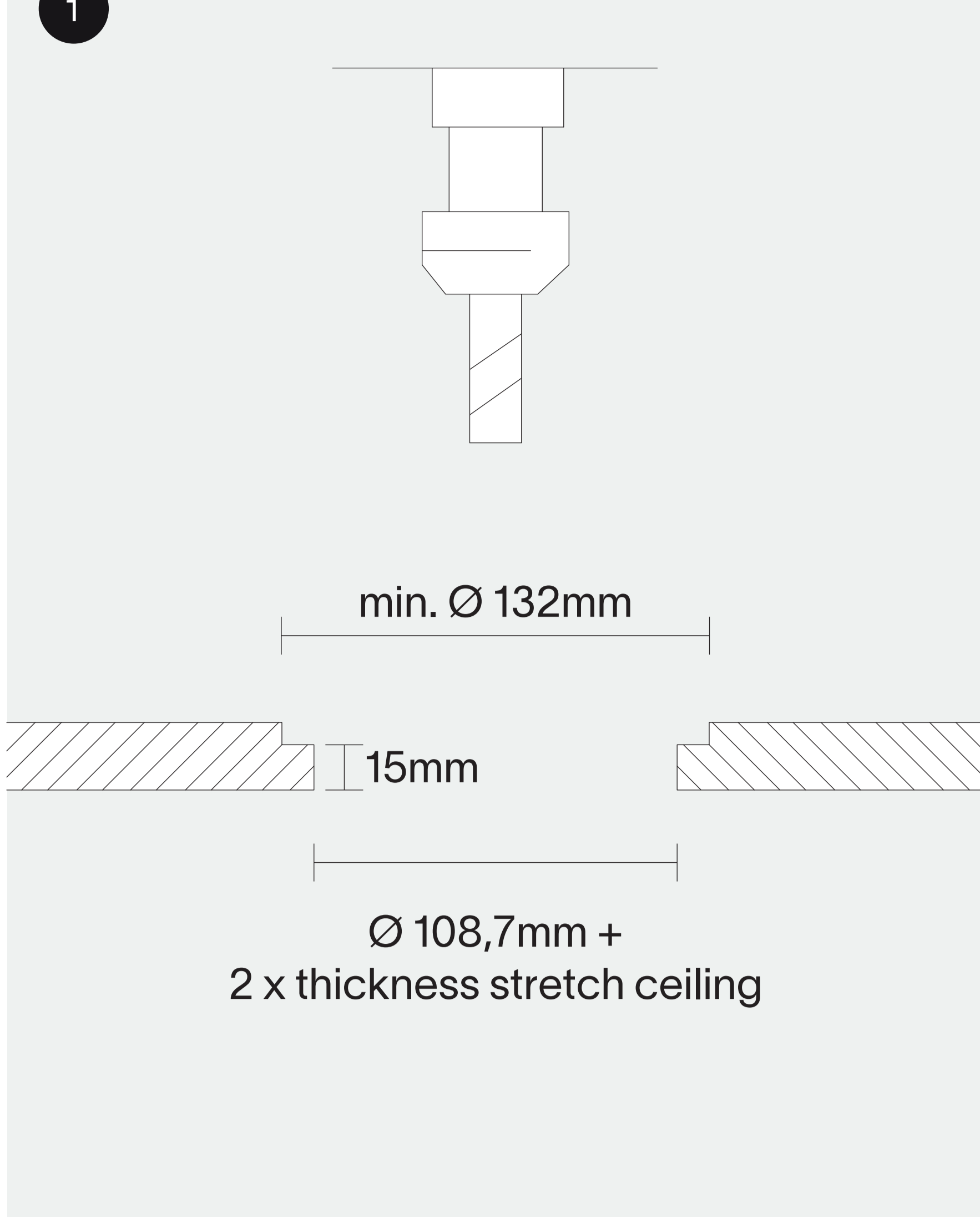
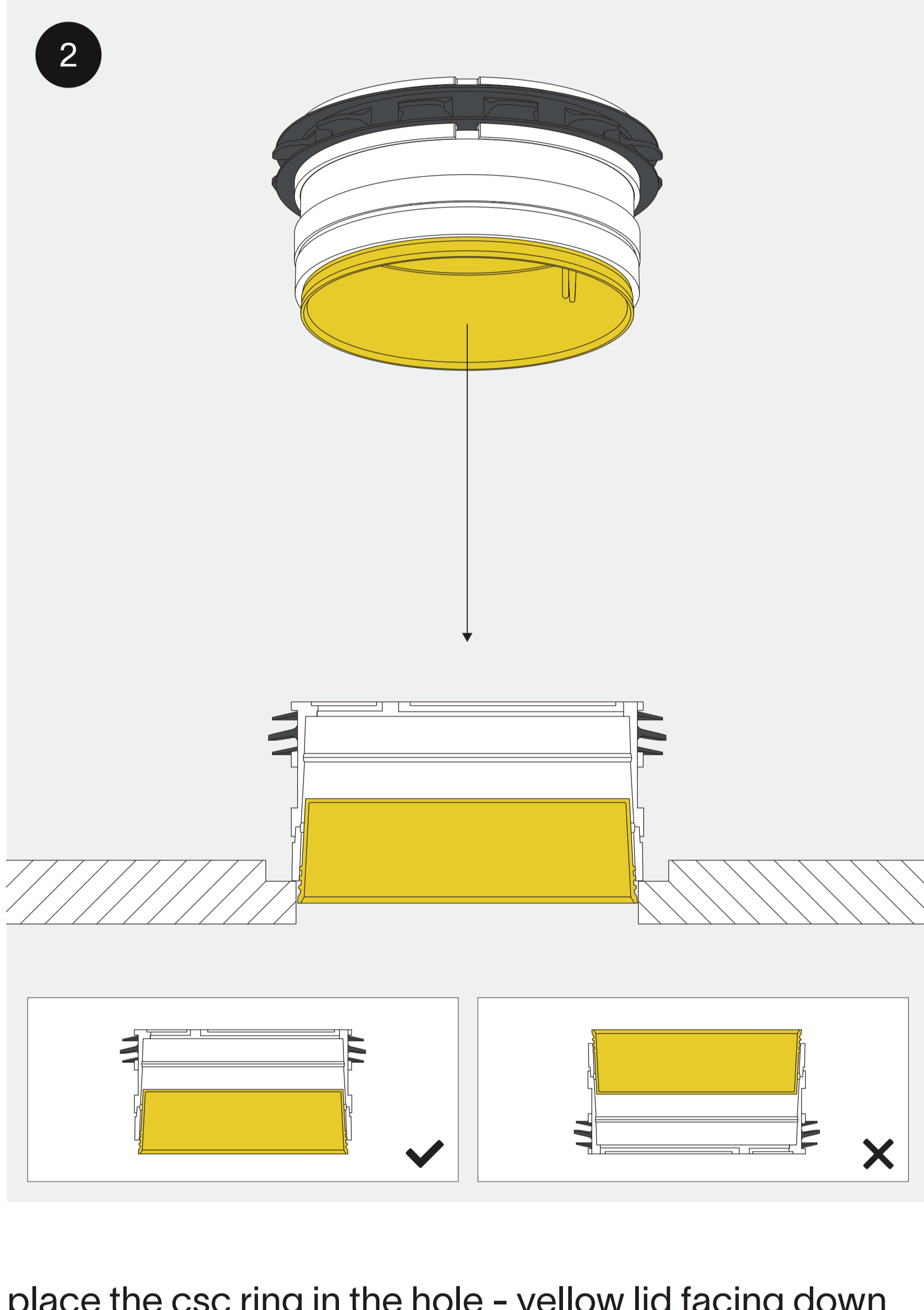


cold stretch ceiling ring Ø108

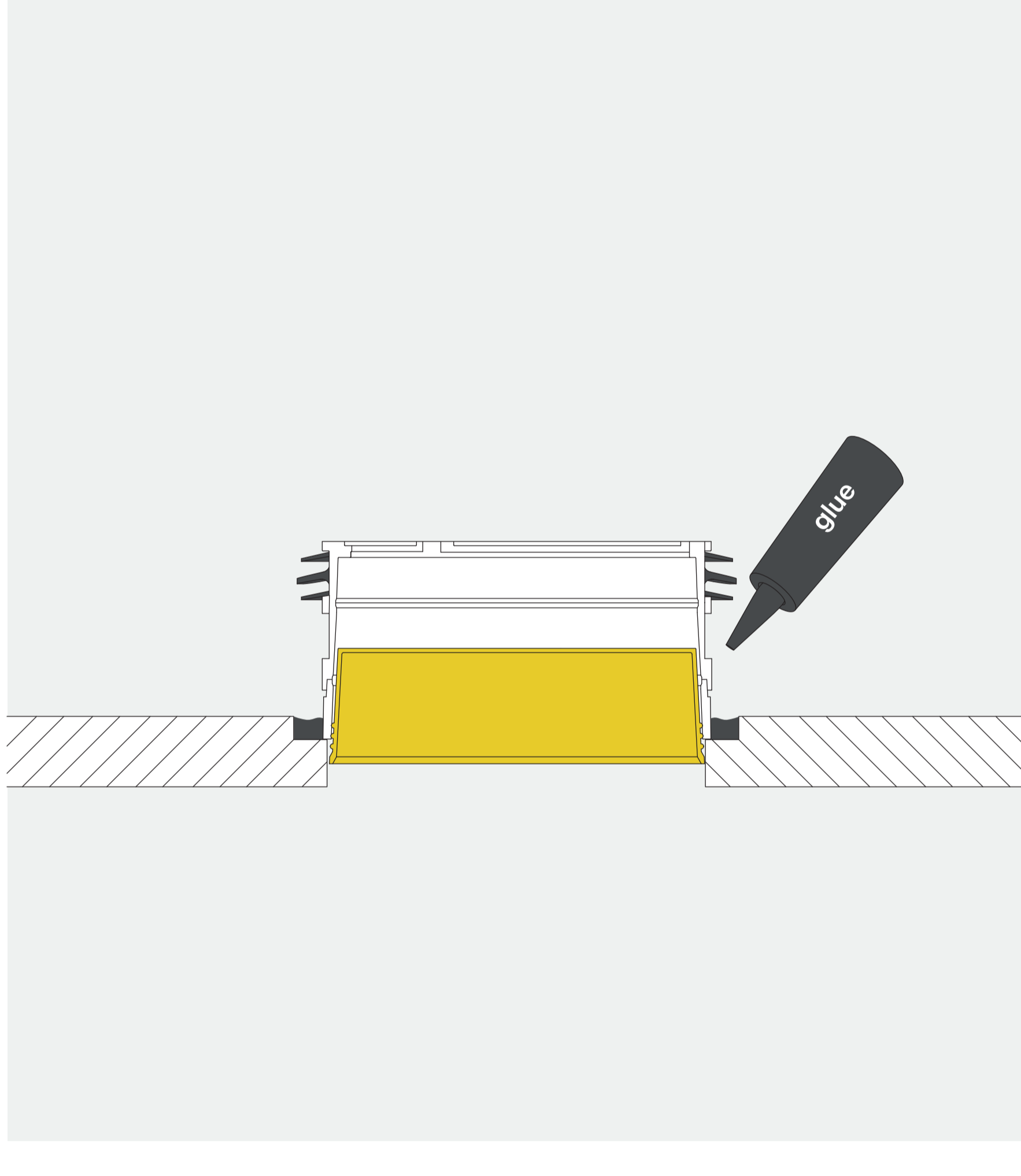
installation instruction



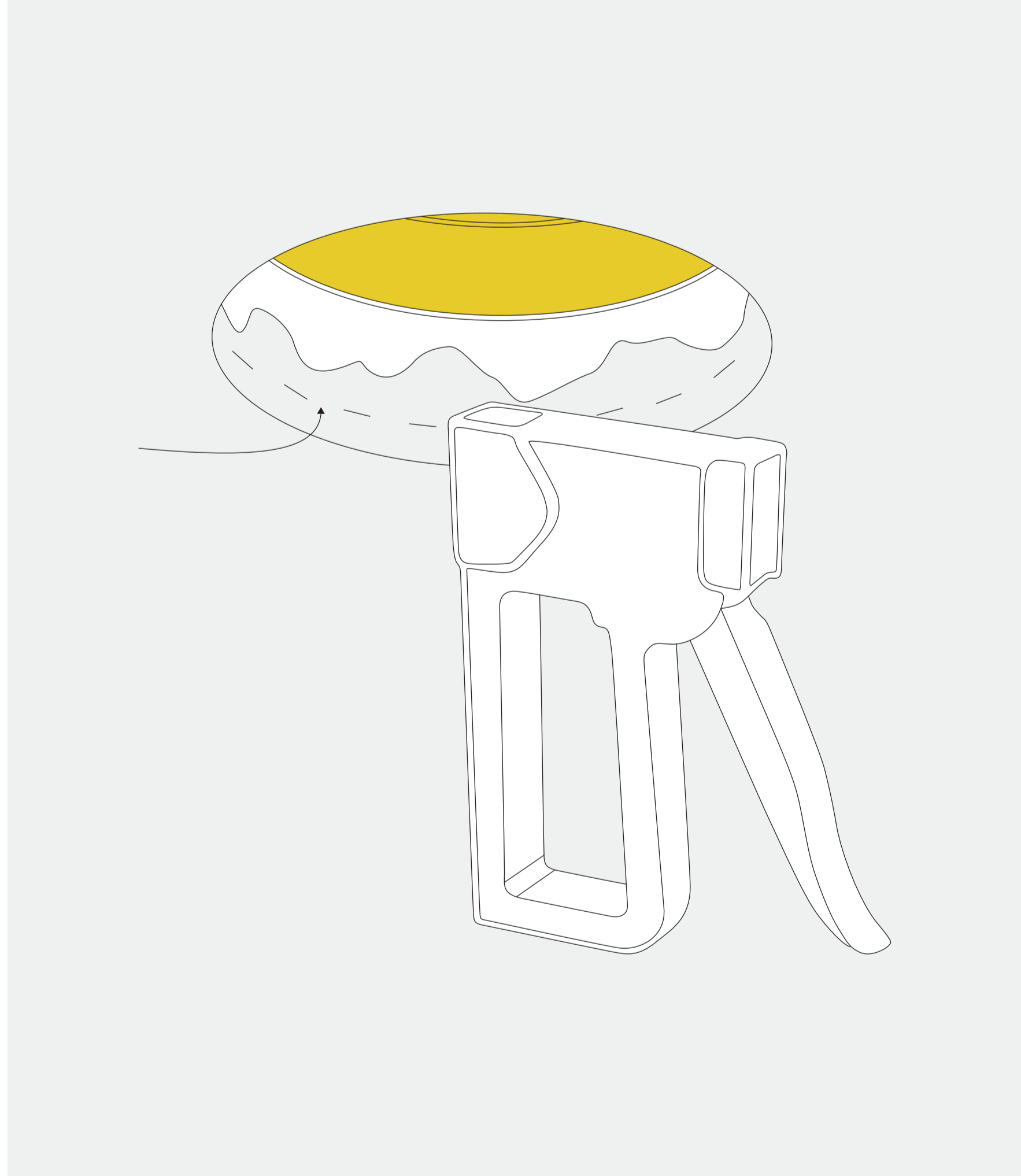
mill a hole with the above dimensions in a wooden base (not supplied) (maximal fabric thickness : 0.6mm)



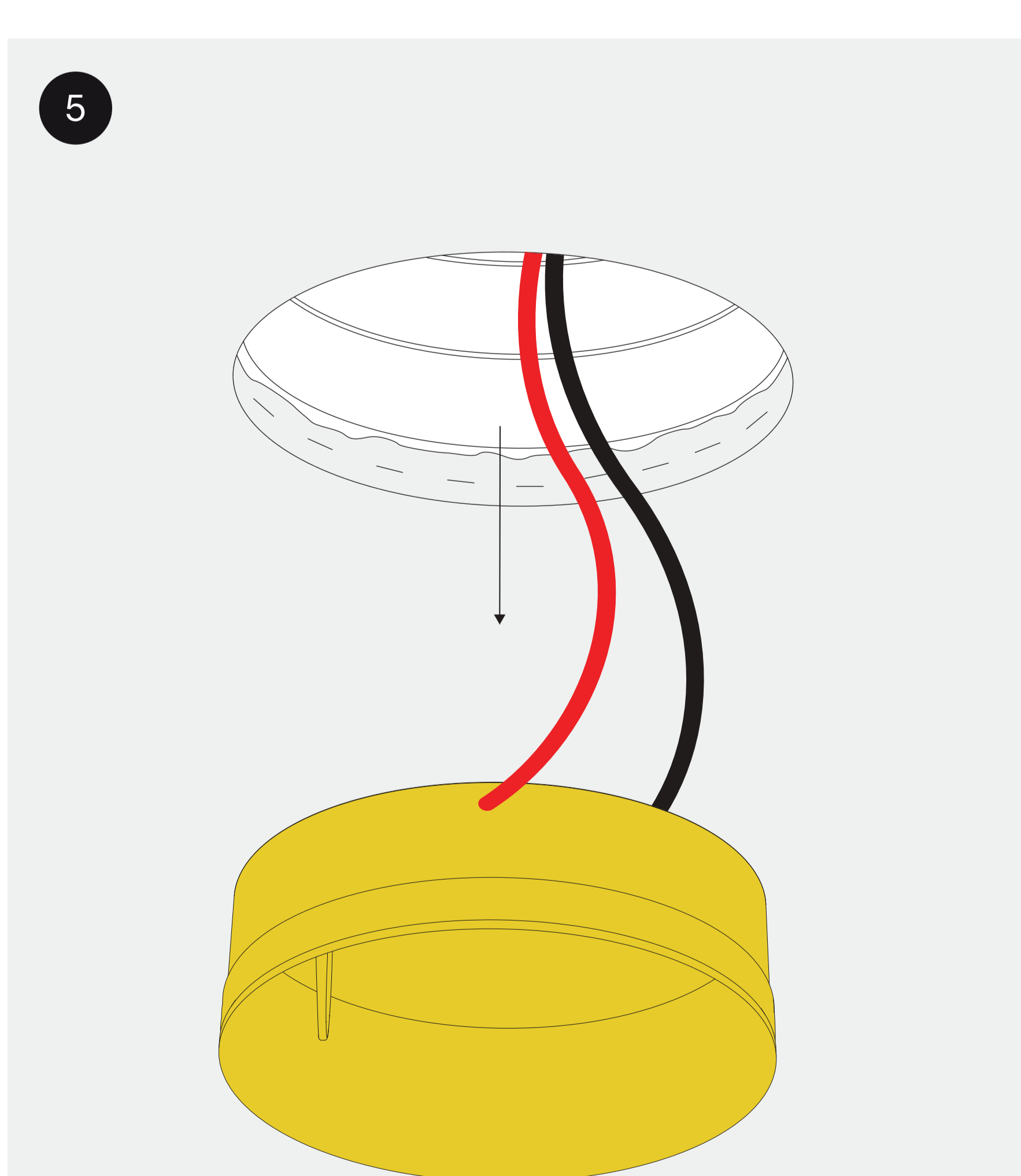
place the csc ring in the hole - yellow lid facing down



fix the csc ring to the wooden base with the right glue



fasten the cloth in the wooden base (below the csc kit)
cut off the excess fabric (it cannot touch the csc ring)



remove the yellow lid just before installing the fixture

thank you for choosing prado