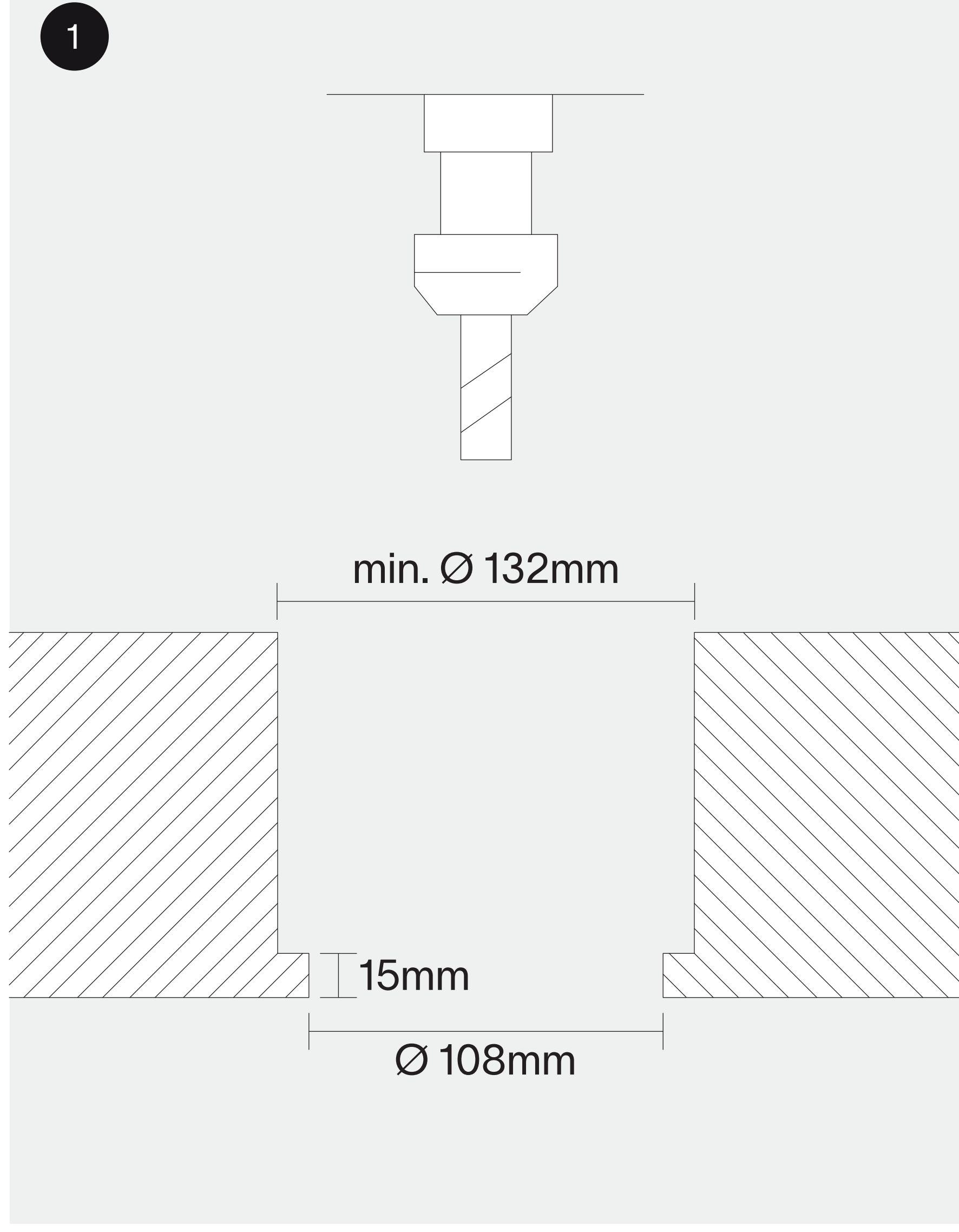
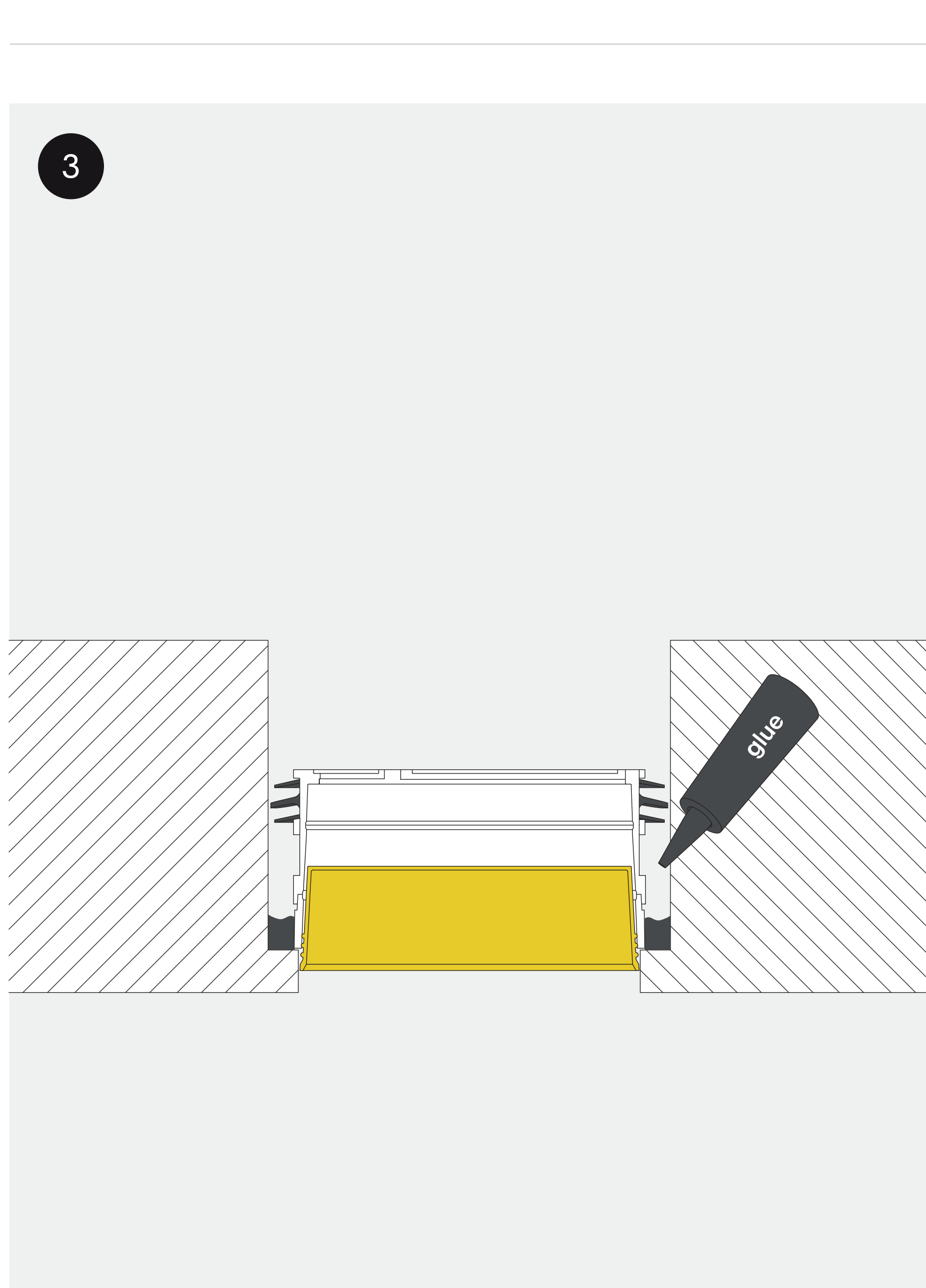
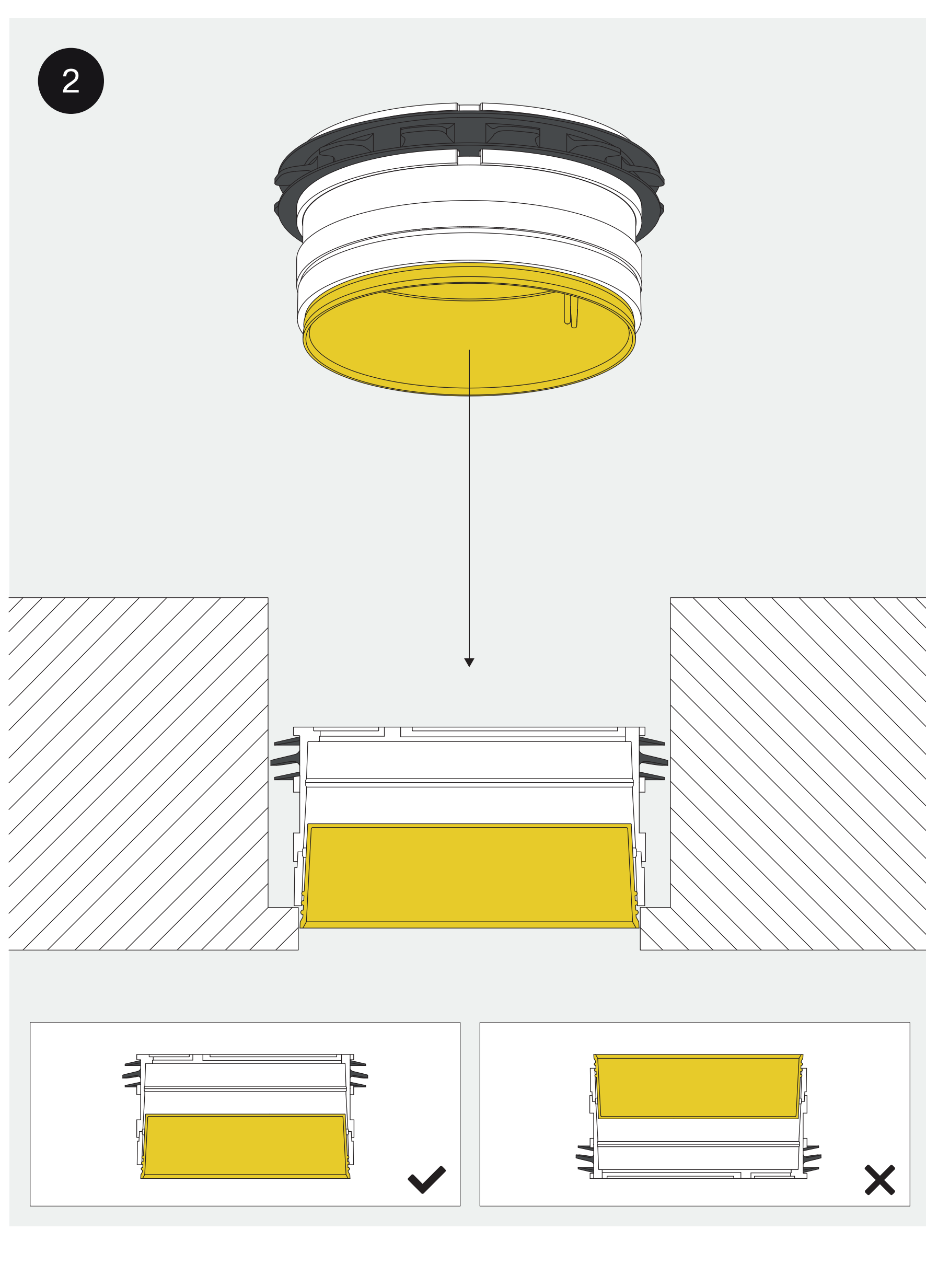


clt ring Ø108

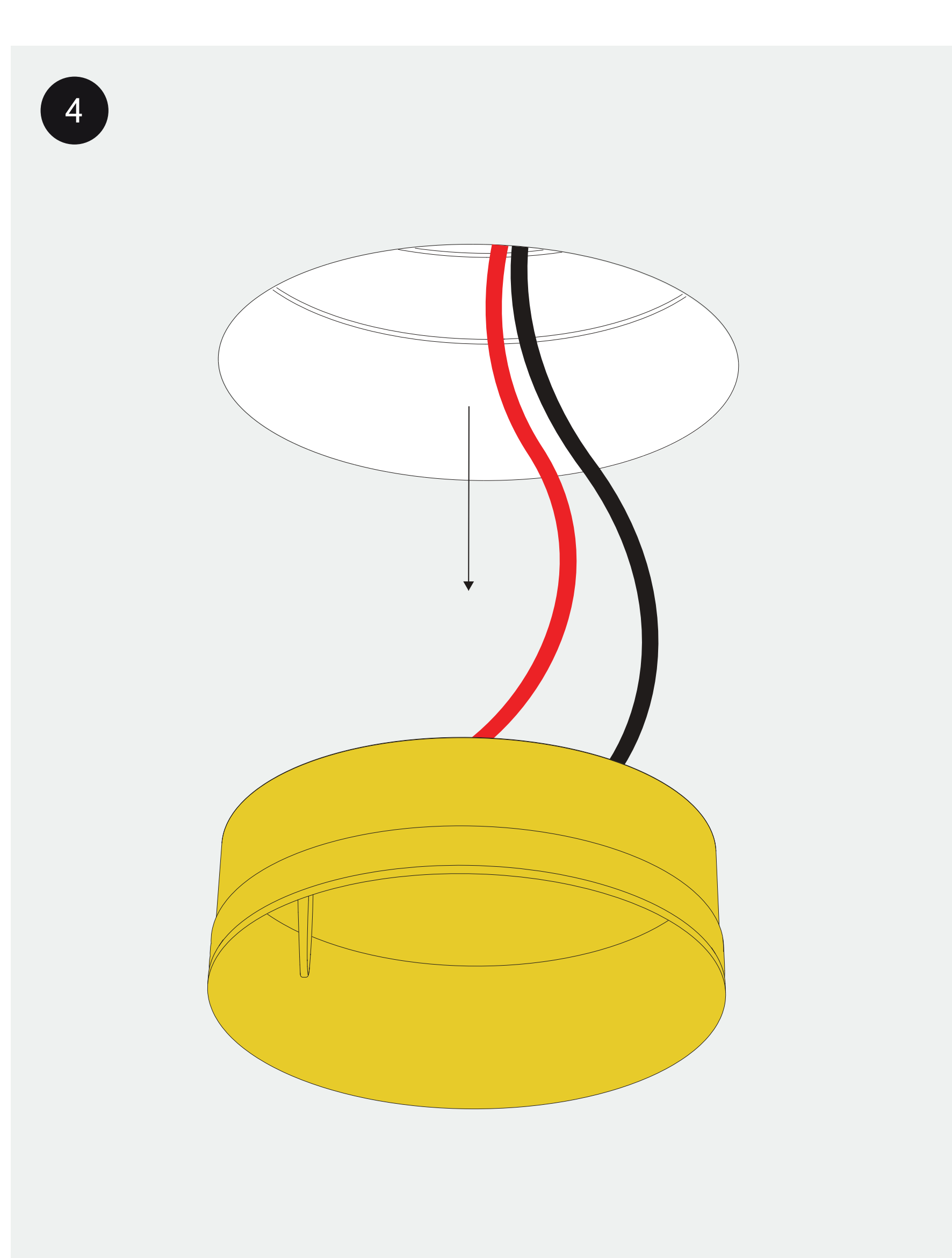
installation instruction



Mill a hole in the CLT ceiling with the above dimensions.



fixate the ring to the clt with the appropriate glue



thank you for choosing prado