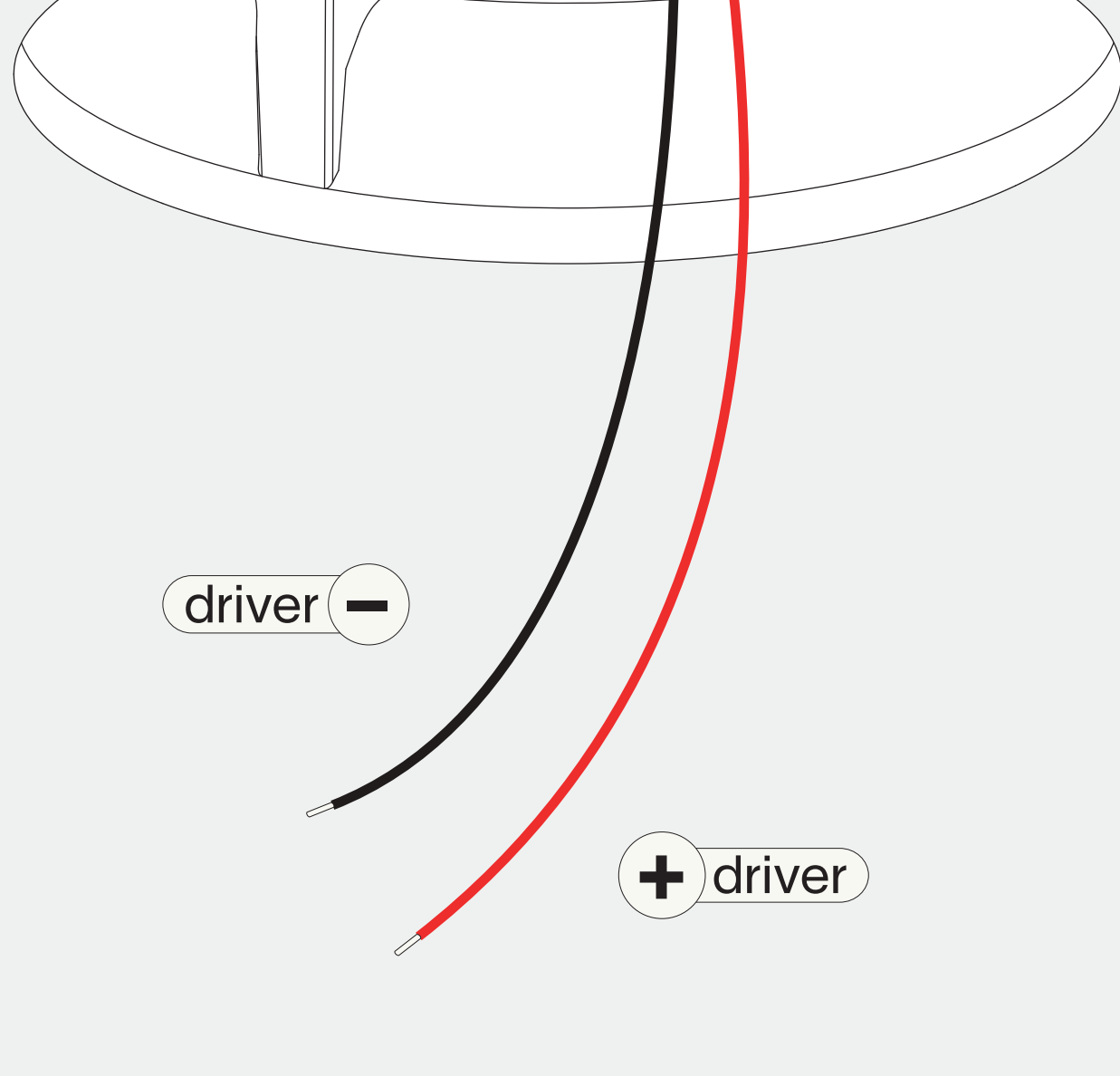


# acrobat installation instruction

1



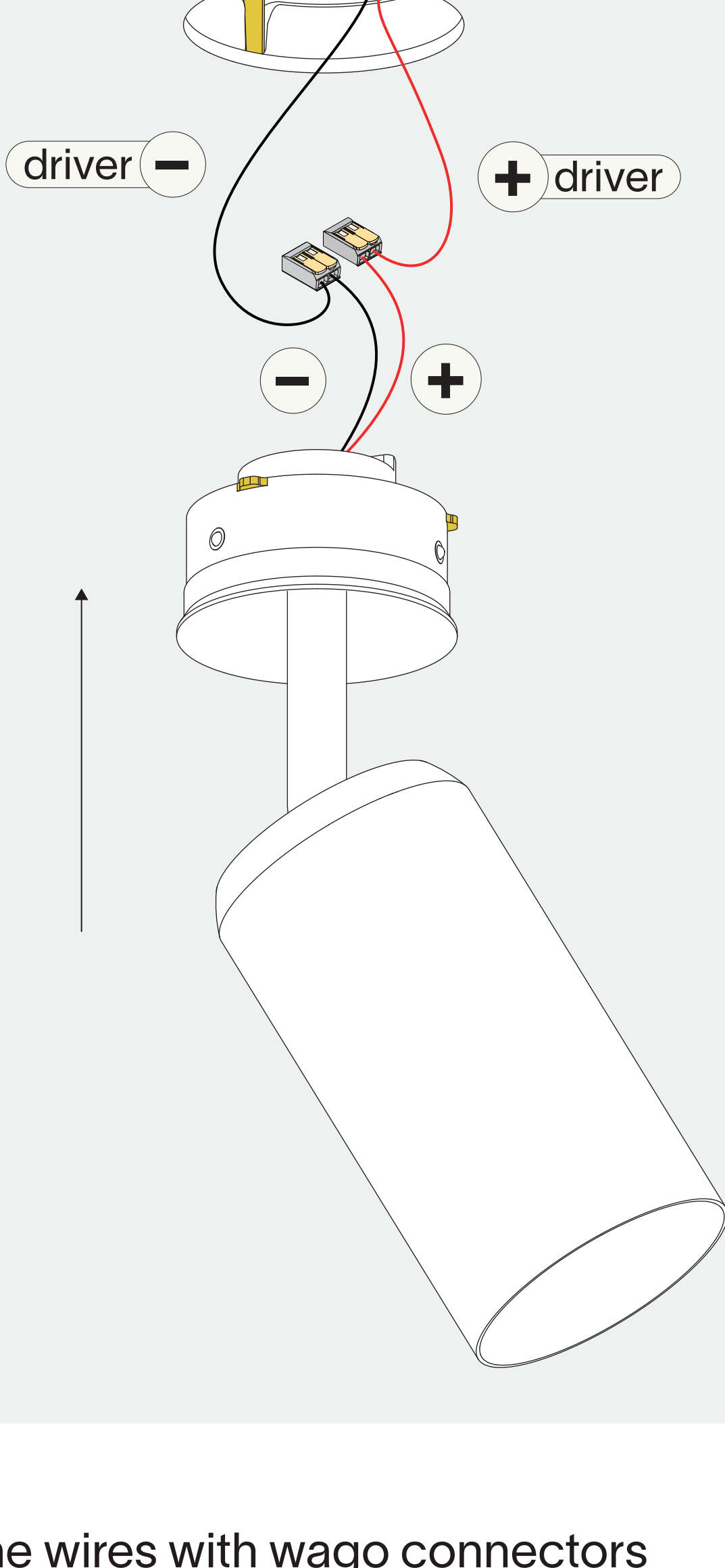
POWER OFF

10 mm

□ 0.08 - 2.5mm<sup>2</sup>

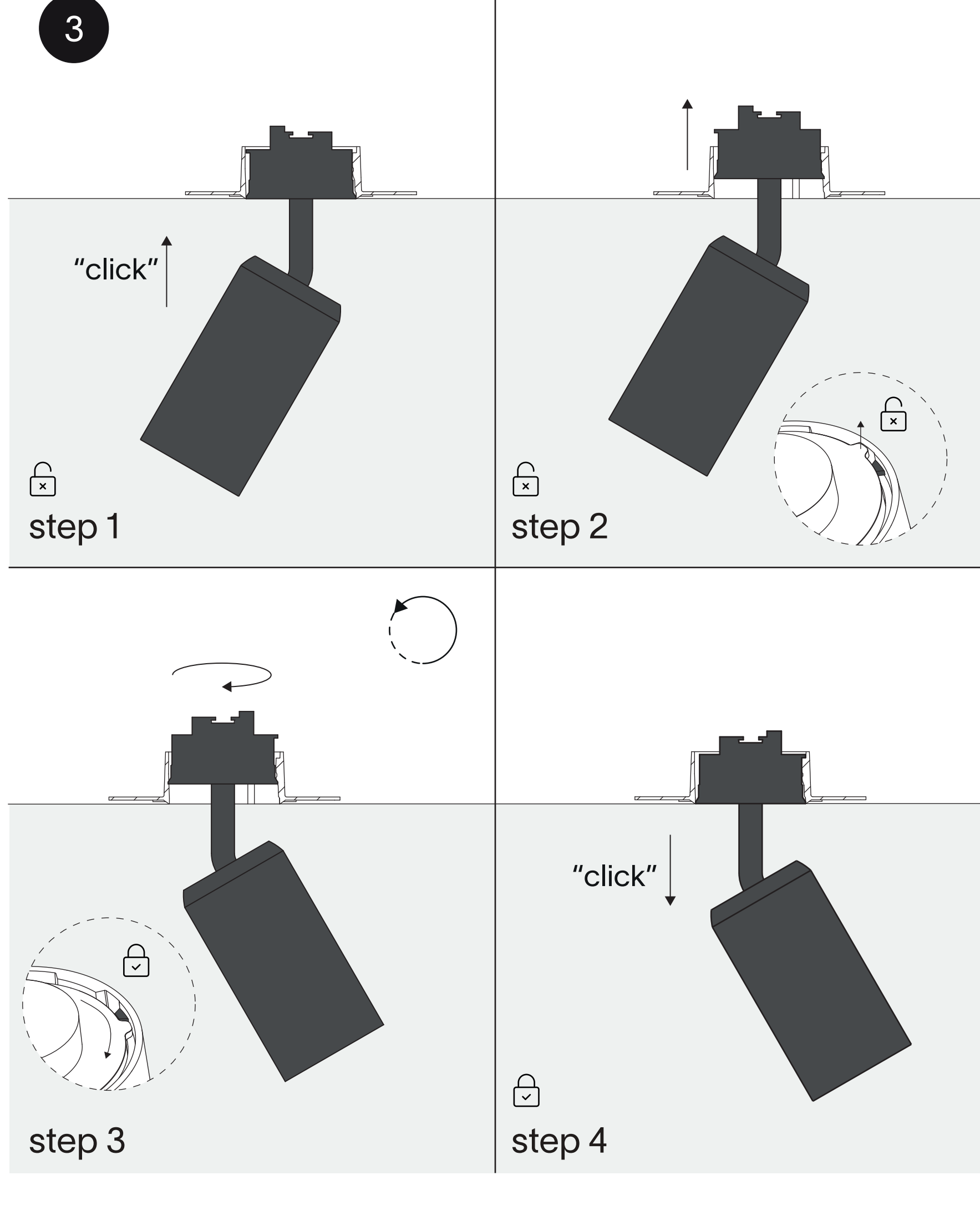
constant current (mA)	typical forward voltage (V)	typical power (W)
350	16,9	5,9
500	17,4	8,7
700	18,2	12,7
850	18,5	15,7

2



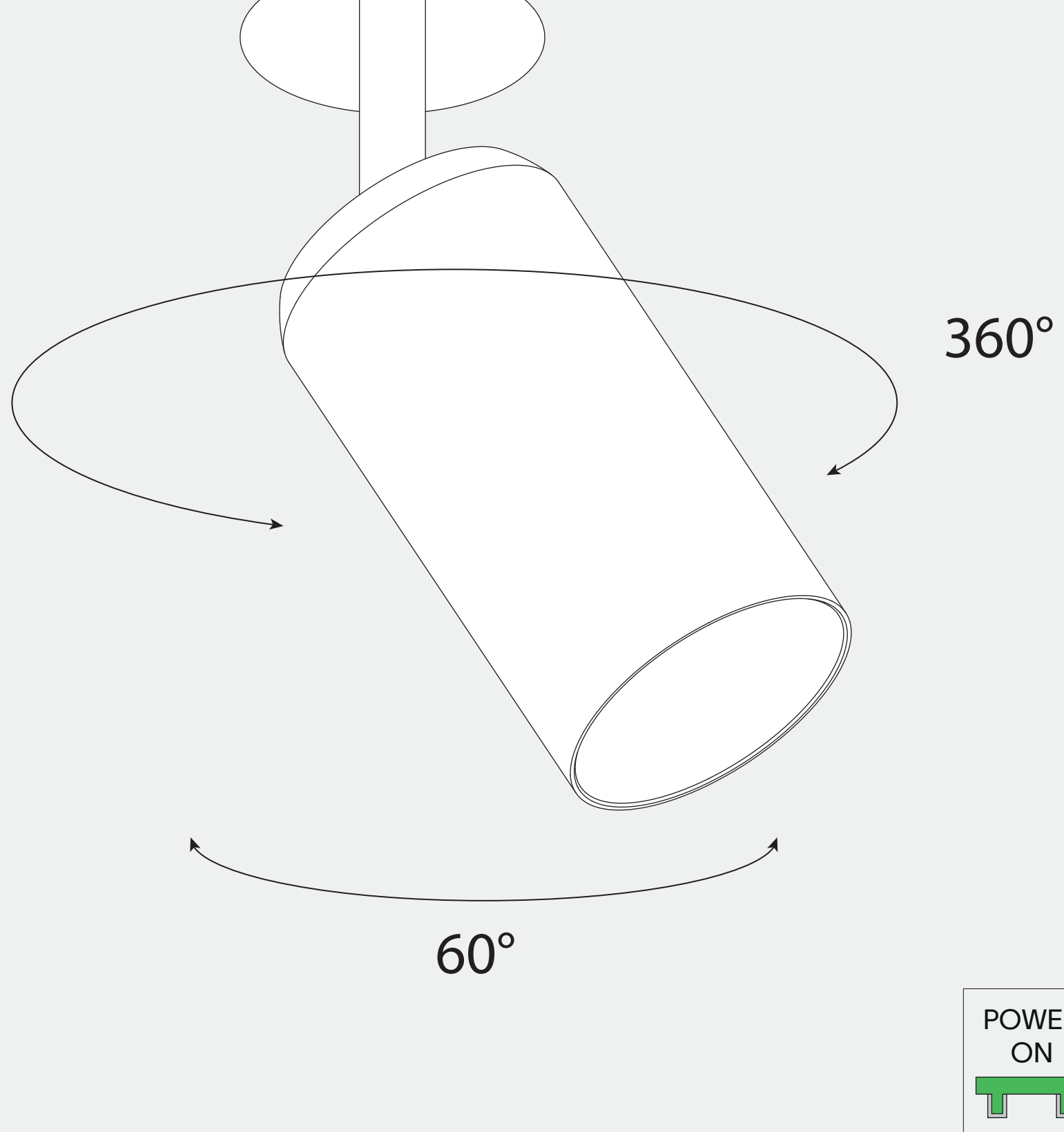
connect the wires with wago connectors for serial connection, respect polarity combine with a prado LED-driver

3



Insert the luminaire into the ceiling until it "clicks". Push the luminaire a little further and twist it to lock it. Gently pull the luminaire down again. Now it's locked.

4



twist the luminaire as desired  
thank you for choosing prado

Replace glass lens when broken. Luminaire shall only be used together with glass lens.