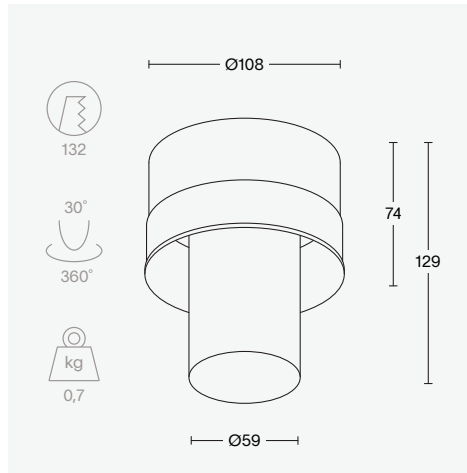


light + ventilation long



light specs

lamp	LED
reflector	glass lens
driver	excluded
IP	44
CRI	90+
class	III

ventilation specs

type	air extraction
air flow	max. 50m ³ /h
pressure	7 - 75 Pa
noise level	< 25 dB(A)
adjustment	32 steps
lock mechanism	integrated

luminaire output

	2700K			3000K		
	15°	25°	40°	15°	25°	40°
350mA (5.7W)	290 lm	420 lm	585 lm	325 lm	460 lm	645 lm
500mA (8.5W)	450 lm	555 lm	730 lm	495 lm	610 lm	805 lm
700mA (12.8W)	505 lm	720 lm	955 lm	560 lm	795 lm	1055 lm
850mA (16.8W)	570 lm	815 lm	1075 lm	630 lm	900 lm	1180 lm

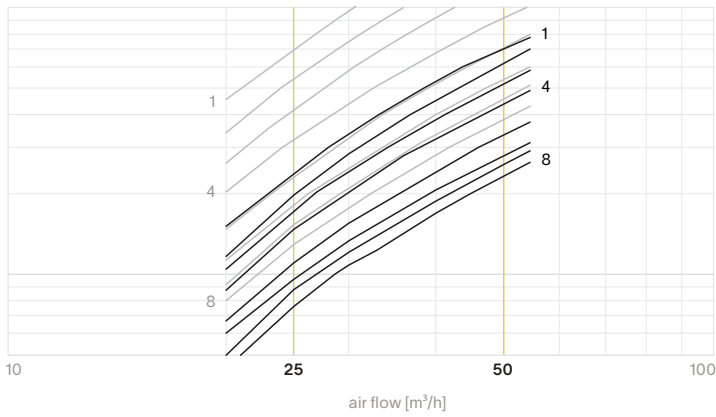
order number

	2700K			3000K		
	15°	25°	40°	15°	25°	40°
black ano.	8000 - 1001	8000 - 1002	8000 - 1003	8000 - 1004	8000 - 1005	8000 - 1006
white struc.	8000 - 1007	8000 - 1008	8000 - 1009	8000 - 1010	8000 - 1011	8000 - 1012

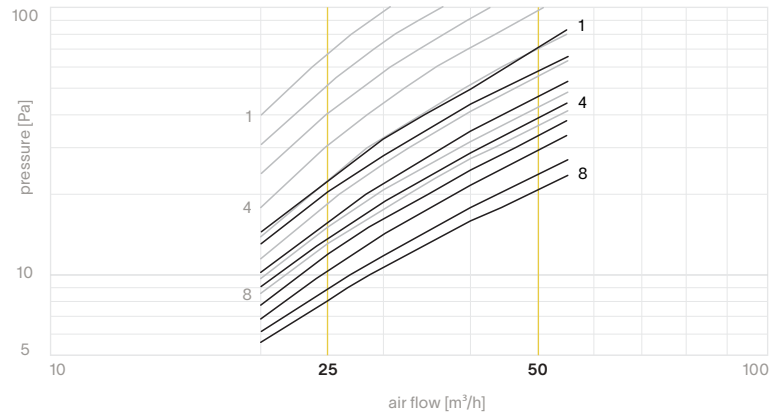
light + ventilation long

ventilation - capacity graphs

air extraction



air supply*



— with 25m³/h ring

— without 25m³/h ring

*downward airflow not suited for installation in or above comfort zones

accessoires

installation

8000 - 0001

plaster ring Ø108

drivers

8000 - 0021

DALI dimmable driver 38W

8000 - 0022

1-10V dimmable driver 36W

8000 - 0023

non-dimmable driver 42W

8000 - 0026

DALI dimmable driver 60W

8000 - 0027

DALI deep dim driver 20W